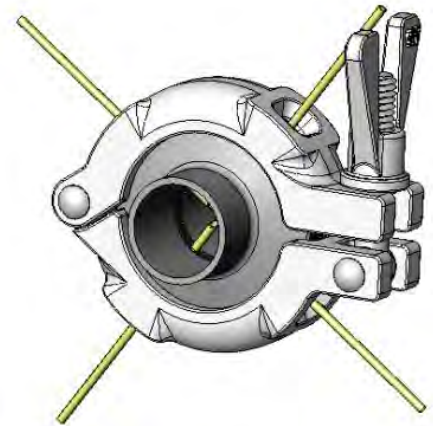


FlowSmart's 'Source' range makes inline sampling and monitoring of media quick, easy and most importantly hygienic. Access to the media stream without the need of a shut down or line disturbance makes the 'Source' range an ideal choice for all end users.

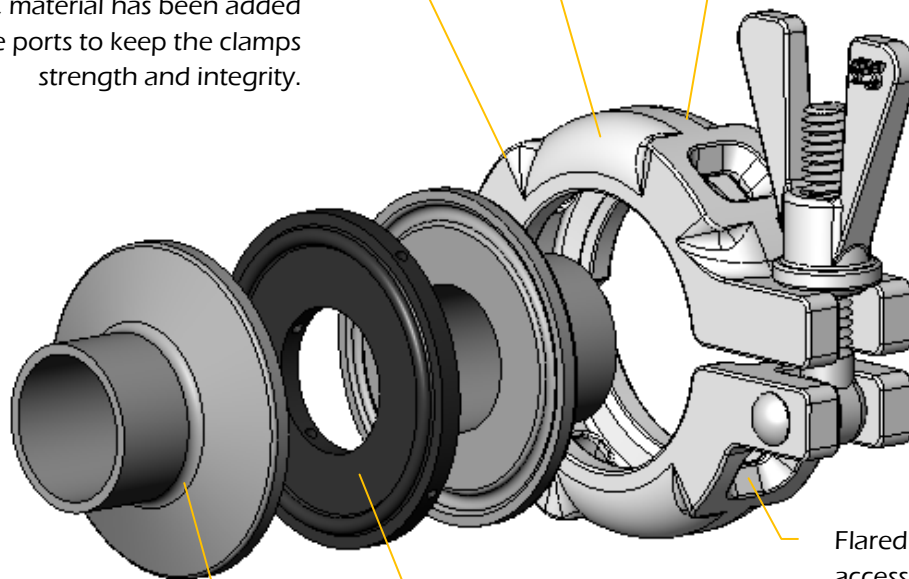
The FlowSmart Source Clamp & Gasket / Seal combination is the only complete assembly currently available on the market that is specifically purpose designed and manufactured for use together. The purpose made Source Clamp avoids the normal pit-fall of troublesome re-machining of a standard clamps internal profile with the addition of ports, which undoubtedly leaves the end user with a weaker, often ill fitting clamp that affects the integrity of the clamp itself resulting in containment loss and unknown clamping union pressure rating.



304 stainless steel, precision sized and polished clamp segments & components

4 Ports at 90° to each other purposely offset around the clamps circumference allowing for ease of access to all 4 ports.

Designed specifically as a source clamp, material has been added around the ports to keep the clamps strength and integrity.



Flared ports enable easy access for probe entries.

Source gaskets are available as: 1, 2 or 4 ports versions and in wide range of materials.

The complete assembly utilises standard ferrules and therefore can be a retro-fitted item to existing pipe work with minimal disruption to production.