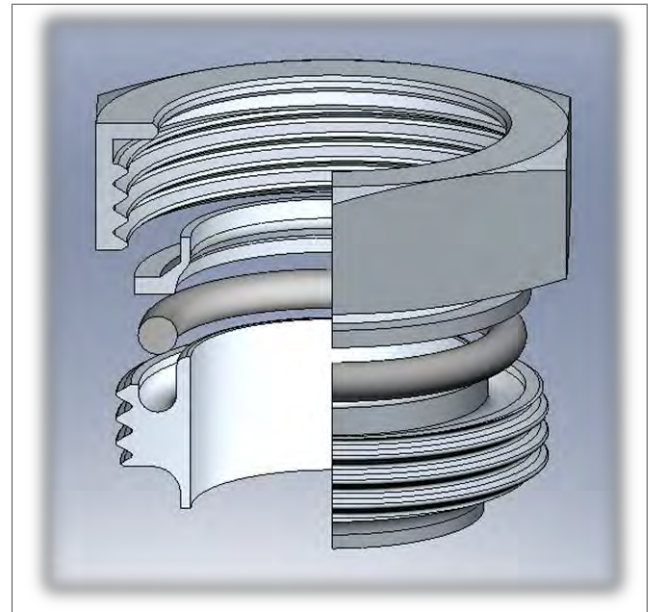


Screwed type fitting, Ring Joint Type unions are widely used throughout the UK and Europe where a hygienic sanitary sealing union is not the priority. The union comprises of male half, weld liner, o-ring seal and hexagonal nut which incorporates a Whitworth form thread.



TE-5 RJT Size	Dimensions (mm)		Dimensions (Inches)		Gasket / Seal Ordering Code
	ØA	CS	ØA	CS	
	O-Ring ID	Cross Section	O-Ring ID	Cross Section	
1"	26.7	6.6	1.051	0.180	RJT-XXX-OR-1.00
1 1/2"	39.4	6.6	1.551	0.180	RJT-XXX-OR-1.50
2"	52.1	6.6	2.051	0.180	RJT-XXX-OR-2.00
2 1/2"	64.8	6.6	2.551	0.180	RJT-XXX-OR-2.50
3"	77.5	6.6	3.051	0.180	RJT-XXX-OR-3.00
4"	102.9	6.6	4.051	0.180	RJT-XXX-OR-4.00

For Material Selection Replace 'XXX' With :					
Material	Code	Material	Code	Material	Code
BUNA-N	'U'	SILICONE (White)	'XW'	VITON (White)	'SFYW'
BUNA-N (White)	'UW'	SILICONE (Red)	'XR'	VITON GF600S (Black)	'SFYGF'
EPDM (Black)	'E'	TEFLON	'G'	PLATINUM SILICONE (Clear)	'RXPX'
EPDM (White)	'EW'	SILICONE (Clear)	'X'	VITON (Black)	'SFY'

Notes:

1. RJT Gaskets are not typically made in PTFE or PolySteel. Products may be produced upon request.
2. Ordering codes for Metal Detectable Gaskets would have a "Z" after the material. Example RJT-EZ-OR-200 for EPDM.
3. Ordering codes for colors would include the first and last color of the color after the material. Ex: RJT-E-BE-OR-200 for a Blue EPDM.